



HappyLight[®]

Energy Lamp
Lampe d'Énergie

Model: VT05



Dear Customer,

Thank you for purchasing the Verilux HappyLight® Energy Lamp. You have received an innovative and quality manufactured product, backed by a one-year limited warranty.

This product brings Natural Spectrum® Daylight into your home or office. Many other healthy lighting products are available through our catalog and online. Visit us on the web at www.verilux.com to request a free catalog and learn more about all our quality Verilux products, or call our toll-free number 1-800-454-4408.

As a Verilux customer, your satisfaction means everything to us. We look forward to serving you now and in the future.

Have a Bright Day!

A handwritten signature in black ink that reads 'Nicholas Harmon'. The signature is written in a cursive, flowing style.

Nicholas Harmon
President, Verilux, Inc.

Contents

Important Safeguards	4
Features.	5
Device Pretest	5
Operation.	6
Selecting a Location	6
Instructions for Use	6
Recommended Usage	7
Bulb Removal and Replacement.	8
Re-installing Bulb and Plastic Diffuser	9
Troubleshooting.	10
Care and Cleaning.	10
Technical Specifications	11
Warranty	12

READ ALL INSTRUCTIONS BEFORE USING

Important Safeguards

▲ DANGER:

- Do not operate this device near a water source to avoid electrocution.

▲ WARNING:

- Do not use with power supply voltage other than 120 VAC.
- Do not defeat the safety purpose of the polarized plug. A polarized plug has two blades with one wider than the other. The wider blade is provided for your safety. If the provided plug does not fit in your outlet, consult an electrician for replacement of the obsolete outlet.
- Close supervision is recommended when these lamps are used by or near children, or others who may not understand the need for these precautions.
- Do not operate lamp in close proximity to flammable or combustible vapors, such as aerosol spray products, or where oxygen is being administered.
- To prevent risk of shock or personal injury when cleaning lamp, make sure you have turned off and unplugged the lamp, and allowed sufficient time for the bulb to cool.
- If this lamp has been damaged in any way, for example, the power supply cord or plug has been damaged, liquid has been spilled or objects have fallen onto the lamp, the lamp has been exposed to rain or moisture, the lamp does not operate normally or has been dropped, it should not be operated. There are no user serviceable parts in this lamp.
- Do not block vents. Vents are necessary for proper function of the electronic ballast; blocking them may cause overheating of the electronics and increase risk of fire.

▲ CAUTION:

- Different people react differently to the light from energy lamps. Follow directions for device pretest on page 5 prior to use.
- These lamps are for indoor use only.
- Do not place this lamp near any heat sources such as radiators, heat registers, stoves or other apparatus (including amplifiers) that produce heat.
- Avoid placing this lamp in areas that are exposed to direct sunlight or close to heat-radiating products such as heaters. Do not place the lamp on the top of appliances that radiate heat.
- Protect the power cord from being walked on or pinched, particularly at plugs, convenience receptacles and the point where the power cord exits the lamp.
- Unplug lamp during lightning storms or when unused for long periods.
- Avoid placing the lamp in areas that are dusty, humid/moist, lack ventilation or are subject to constant vibration.

▲ CAUTION: — continued

- This lamp is not for use with light dimmers, timers, motion detectors, voltage transformers or extension cords.
- Do not leave the lamp unattended during use.
- Do not use a lubricating agent in bulb assembly.
- Light bulbs get hot quickly! Do not touch the bulb while the lamp is on.
- Use only the type of bulb and maximum wattage indicated by Verilux®.
- Never cover the lamp or place anything on top of it when it is in operation.
- Disconnect lamp from outlet prior to repeating the bulb installation process.

SAVE THESE INSTRUCTIONS**Features**

Your new Verilux HappyLight® Energy Lamp is a remarkable product with many features and benefits:

- Delivers Natural Spectrum® Daylight to your home, office, dorm room or apartment with no dangerous ultraviolet (UV) wavelengths.
- Has up to 6,000 LUX of bright Natural Spectrum light per unit to lift spirits, sharpen concentration and improve energy levels.
- Activates your body's own energy enhancers to make you more alert and productive.
- Is designed with a compact shape and small footprint to make it easy to place in a convenient location.
- Includes an energy efficient, cool burning 36 Watt 10,000 hour bulb.
- Comes equipped with a convenient on-off power switch on cord.
- Includes best-in-class power system with electronic ballast and patented Flicker Elimination Technology® to assure no-buzz operation and instant-on, flicker-free illumination.

Device Pretest

To help determine if user has sensitivity to light treatment it is recommended that the user perform this pretest upon first use of this device:

Step 1 - Place the lamp about 18 inches from your face and turn it on **(do not look directly into the lamp)**.

Step 2 - Operate lamp for approximately 10 minutes and turn it off. If any discomfort is felt, discontinue use of the lamp and consult a doctor. If no discomfort is felt, for subsequent use, the user may want to gradually decrease the distance from the face and increase time used which results in increased lamp intensity for maximum effect. The user should determine if any discomfort is felt after each use and make only incremental changes to the time used and location with each session.

Operation

Selecting a Location

- Place your Verilux® HappyLight® Energy Lamp on a table or other flat surface.
- For best performance, place the HappyLight as close as 6 inches, but within 24 inches from your face.

▲ CAUTION: *Avoid placing this lamp in areas that are exposed to direct sunlight or close to heat-radiating products such as heaters. Do not place the lamp on the top of appliances that radiate heat.*

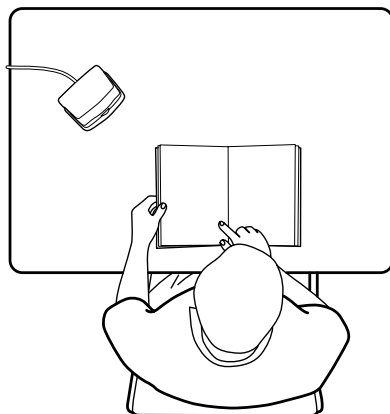
▲ WARNING: DO NOT BLOCK VENTS

Vents are necessary for proper function of the electronic ballast; blocking them may cause overheating of the electronics and increase risk of fire.

Instructions for Use

Use consists of sitting close to the HappyLight Energy Lamp with your eyes open. While staying oriented toward the light, feel free to engage in other activities such as reading, writing, hobbies and crafts, sewing, needlepoint, applying make-up, painting or working at your computer or desk.

1. Turn on the lamp and allow a few minutes for the bulb to achieve full brightness.
2. The HappyLight Energy Lamp should be positioned as close as 6 inches, but within 24 inches from your face, and should be slightly offset from center (see diagram). *Note: Do not look directly into the lamp.*
3. Recommend switching on high setting for morning and low setting in the afternoon.

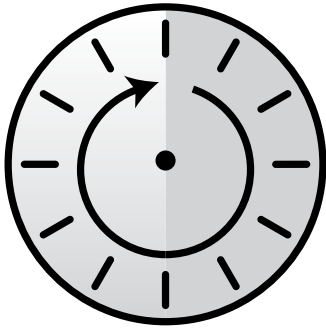


The light from the HappyLight Energy Lamp must be directed at your eyes; therefore, your eyes must be open to achieve the full benefit. *Note: Tinted glasses reduce the amount of light reaching your eyes.*

When you are feeling sluggish and lethargic, spend more time with the light, sit closer to the light or add more lighting devices to increase the intensity. If you experience edginess, or are over stimulated, move the light further away or reduce usage time.

Operation — continued

Minimum Recommended Usage



30 minutes
to
1 hour*

Researchers at the National Institute of Health demonstrated that white light, in a range of 2,500 to 10,000 LUX (a measurement of light intensity), helped to reverse the symptoms of “Winter Blues”.

Different exposure strategies work for different people. We all have different reactions to our environment. It is important to establish a distance and schedule that is comfortable for you. We recommend you use the light regularly and at about the same time each day. It is not necessary to sit in front of the lamp continuously. You can divide the time into several mini sessions. Continue to use the HappyLight® daily to feel an improvement in your mood and activity level.

When you are feeling sluggish and lethargic, spend more time with the light, sit closer to the light or add more lighting devices to increase the intensity. If you feel a sort of edginess, as though you have drunk too much coffee, then it may be time to turn the unit off.

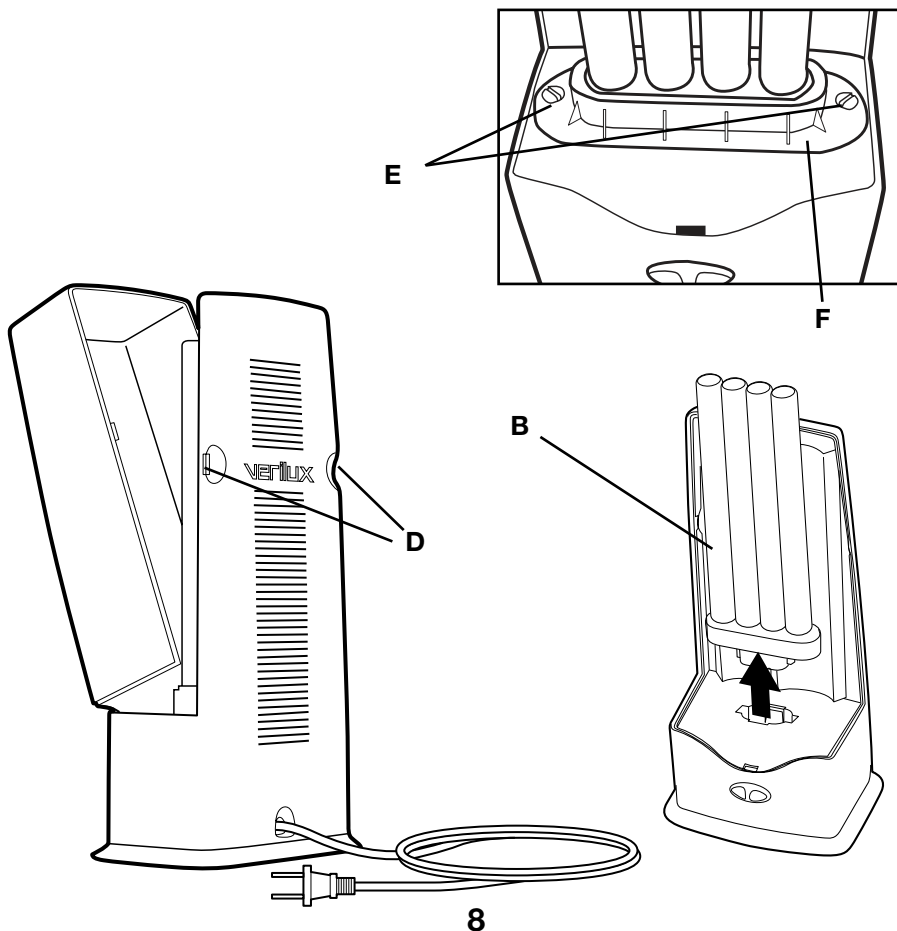
* Recommended exposure time is a function of output and distance. Individual results may vary.

Bulb Removal and Replacement

Your HappyLight® uses a bulb manufactured only by Verilux®. To order a replacement bulb, please call Verilux, toll-free at 1-800-454-4408.

To Replace the Bulb:

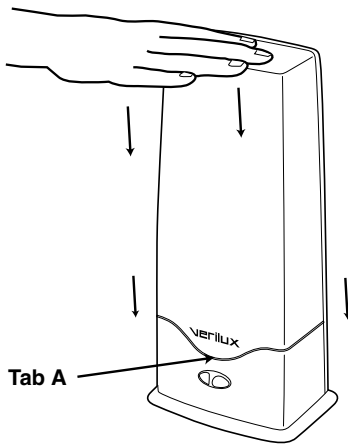
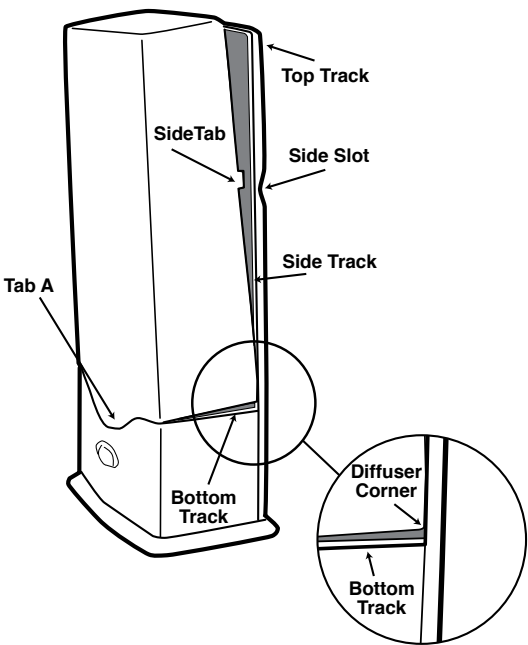
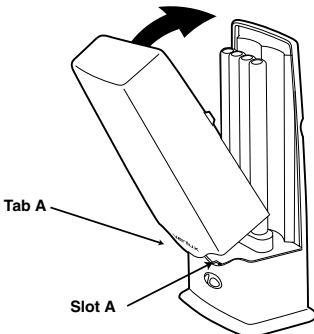
1. Unplug the lamp from power outlet.
2. To access the bulb, remove the plastic diffuser by pressing the tabs (D) and lifting out the diffuser.
3. Using a standard screwdriver, remove the two screws (E) which secure the bracket. Remove the bracket (F).
4. Remove the bulb (B) by holding the base and pulling straight up.



Bulb Removal and Replacement — continued

Re-installing Bulb and Plastic Diffuser

1. Insert bulb into lamp by firmly holding bulb base and pushing down until you hear a “snap” to seat properly.
2. Re-install the bracket using the screws (E) you previously removed.
3. To attach the plastic diffuser to the lamp body, loosely insert **Tab A** into **Slot A**.
4. Insert one diffuser corner at a time.
5. Work one diffuser corner into the side track and slide gently down into place into bottom track.
6. Snap side tab into place (side slot). Entire side of lens should be seated into the track.
7. Repeat for other side of diffuser. *Note alignment of diffuser corner into side track.*
8. Firmly push diffuser down until **Tab A** snaps into place. Align top of diffuser in top track as necessary.



Troubleshooting

Before requesting service on your Verilux® lamp, please read the following:

- Make sure all power connectors, cords and plugs are inserted fully and securely.
- Be sure the bulb is securely seated in the socket (see pages 8 and 9).
- Make sure there is power to the wall outlet or try another outlet – one that is not connected to a dimmer.

PROBLEM	CHECK	SOLUTION
Light Won't Come On	Has the plug come loose?	Insert plug securely into wall outlet.
	Is the bulb old?	Check bulb for blackening/darkening at bottom of spiral where it joins the base (an indicator of bulb life) and replace bulb.
	Is the bulb connected securely into socket?	Be sure the bulb is securely seated into socket, repeat the bulb installation process.
Blackening/Darkening at Ends of Bulb	Is the bulb new?	Sometimes when a new bulb is turned on for the first time the tube will darken, but this will fade after a few minutes.
	Is the bulb old?	With older bulbs, darkening of the tube indicates end of bulb life (this doesn't affect operation except to reduce the amount of light available since the phosphor in that area has become inactive). Bulb replacement is recommended.
Light Flickers	Has the plug come loose?	Insert plug securely into wall outlet.
	Is the bulb connected securely to the socket?	Be sure the bulb is securely seated into the socket, repeat the bulb installation process. ⚠ CAUTION: DISCONNECT LAMP FROM OUTLET PRIOR TO REPEATING THE BULB INSTALLATION PROCESS.
	Is the lamp connected to a dimmer switch?	Connect lamp plug only to wall outlet without dimmer switch.

Care and Cleaning

Your Verilux lamp is made from high quality materials that will last for many years with a minimum of care.

Clean only with a soft dry cloth – DO NOT USE SOLVENTS OR CLEANERS CONTAINING ABRASIVES OR AMMONIA.

⚠ WARNING: To prevent risk of shock or personal injury when cleaning lamp, make sure you have turned off and unplugged the lamp, and allow sufficient time for the bulb to cool.

Technical Specifications

HappyLight® Energy Lamp

Environment

Operating Temperature: 15°C to 35°C; 56°F to 95°F

Storage Temperature: 0°C to 40°C; 32°F to 104°F

Relative Humidity: 5% to 95% non-condensing

Bulb

Replacement bulb: 36 Watt 10,000 hour bulb (replace with Verilux brand only, Model number CFML36VLX)

Power

Input Power: AC 120V~60Hz

UL Listed in Canada and the USA



One Year Limited Warranty

ATTENTION! ONCE OPENED, PLEASE **DO NOT** RETURN THIS PRODUCT TO THE STORE WHERE IT WAS PURCHASED FOR REPAIR OR REPLACEMENT!

Many questions may be answered by visiting www.verilux.com, or you may call our Customer Service Department at 800-786-6850 during normal business hours.

This limited warranty is provided by: Verilux, Inc., 340 Mad River Park, Waitsfield, VT 05673

Verilux warrants this product to be free from defects in material and workmanship for a period of one year from the date of the original retail purchase from Verilux or an authorized Verilux distributor. **Proof of purchase is required for all warranty claims.** During the limited warranty period, Verilux, Inc. will, at its option, repair or replace defective parts of this product, at no charge to the customer, subject to the following limitations: This limited warranty does not include any postage, freight, handling, insurance or delivery fees. This warranty does not cover damage, defect or failure caused by or resulting from accident, external destruction, alteration, modification, abuse, misuse or misapplication of this product.

This warranty does not cover damage to the product resulting from return shipping or handling. The use of shipping insurance is recommended to help protect your product.

Return Authorization is required for all returns. To obtain a Return Authorization, please contact the Verilux Customer Service Department at 800-786-6850.

If, during the first year of ownership, this product fails to operate properly, it should be returned as specified at www.verilux.com/warrantyreplacement or as instructed by a Verilux customer service representative at 800-786-6850.

Note: *Verilux recommends using a quality surge suppressor on all electronics equipment. Voltage variations and spikes can damage electronic components in any system. A quality suppressor can eliminate the vast majority of failures attributed to surges and may be purchased at electronics stores.*

Due to ongoing improvements, actual product may have slight variations from the product described in this manual.

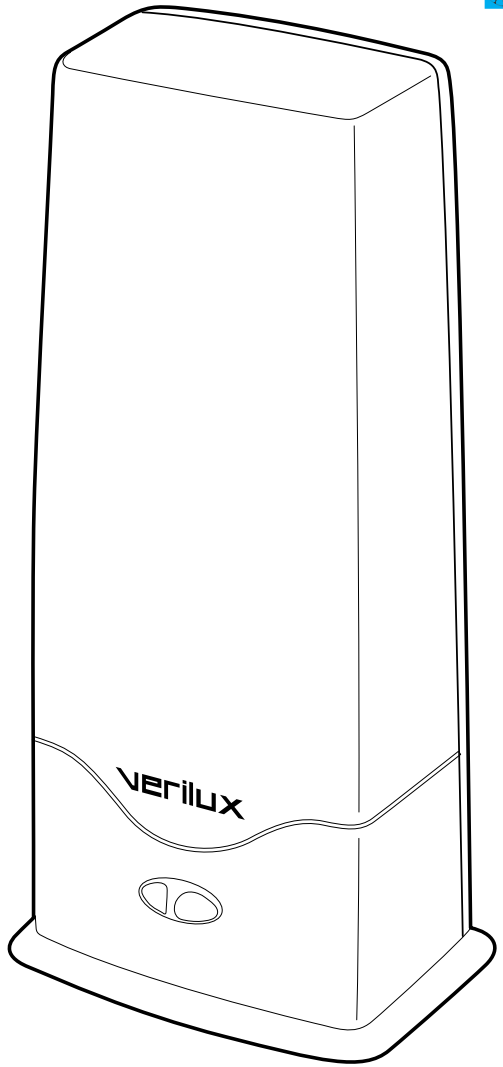
Please visit our website at www.verilux.com or call our Customer Service Department at

1-800-786-6850

Representatives are available Monday — Friday, 9am — 5pm EST

verilux®

340 Mad River Park, Waitsfield, VT 05673



HappyLight[®]

Energy Lamp
Lampe d'Énergie

Model: VT05



Chère cliente et cher client,

Merci d'avoir acheté la lampe d'énergie HappyLight[®] de Verilux. Vous avez reçu un produit innovateur de qualité soutenu par une garantie limitée d'un an.

Ce produit procure un éclairage Natural Spectrum[®] semblable à la lumière du jour à la maison ou au bureau. Beaucoup d'autres produits d'éclairage bons pour la santé sont disponibles sur notre catalogue et en ligne. Visitez notre site Web à www.verilux.com pour demander gratuitement un catalogue et pour en savoir plus sur tous nos produits de qualité Verilux ou appelez notre numéro sans frais 1-800-454-4408.

En tant que client Verilux, nous accordons beaucoup d'importance à votre satisfaction. Nous sommes fiers de pouvoir vous servir aujourd'hui et à l'avenir.

Bonne journée lumineuse!

Nicholas Harmon

Nicholas Harmon
President, Verilux, Inc.

Sommaire

Mesures de sécurité importantes	4
Caractéristiques	5
Test préalable de l'appareil	5
Fonctionnement	6
Choisir un emplacement.	6
Directives d'utilisation.	6
Utilisations recommandées	7
Retrait et remplacement de l'ampoule	8
Réinstallation de l'ampoule et du diffuseur en plastique	9
Dépannage	10
Entretien et nettoyage	10
Données techniques	11
Garantie.	12

VEUILLEZ LIRE L'INTÉGRALITÉ DES INSTRUCTIONS AVANT TOUTE UTILISATION

Mesures de sécurité importantes

▲ DANGER :

- N'utilisez pas cet appareil à proximité d'une arrivée d'eau pour éviter tout risque d'électrocution.

▲ AVERTISSEMENT :

- N'utilisez cette lampe qu'avec une tension d'alimentation de 120 V c.a.
- Ne contournez pas la fonction de sécurité de la fiche polarisée. Une fiche polarisée a deux lames dont une est plus large que l'autre. La lame plus large est fournie pour votre sécurité. Si la fiche fournie ne s'adapte pas à votre prise, consultez un électricien pour remplacer la prise désuète.
- Une surveillance étroite est recommandée lorsque cette lampe est utilisée par ou près des enfants, ou par d'autres personnes qui peuvent ne pas comprendre la nécessité de ces précautions.
- N'utilisez pas la lampe à proximité de vapeurs ou de gaz inflammables, comme les aérosols (vaporisateurs), ni à proximité d'une bouteille d'oxygène.
- Afin de prévenir les risques de choc ou de blessures lors du nettoyage de la lampe, assurez-vous d'avoir éteint et débranché la lampe, et laissez suffisamment refroidir l'ampoule.
- Si la lampe a été endommagée d'une façon quelconque (cordon ou fiche d'alimentation endommagé, liquide renversé ou objets tombés sur la lampe, lampe exposée à la pluie ou à l'humidité, fonctionnement anormal ou chute de la lampe) celle-ci ne doit pas être utilisée. Cette lampe ne contient pas de pièces réparables.
- Ne bloquez pas les bouches d'aération. Les bouches d'aération sont nécessaires au bon fonctionnement du ballast électronique; si vous les bloquez, le système électronique risque de surchauffer et de provoquer un incendie.

▲ CAUTION :

- Chaque personne réagit de façon différente à la lumière des lampes d'énergie. Suivez les instructions de test préalable exposées en page 5 avant toute utilisation.
- Ces lampes ne doivent être utilisées qu'à l'intérieur.
- Ne pas placer cette lampe à proximité d'une source de chaleur, comme les radiateurs, registres de chaleur, poêles ou autres appareils (y compris les amplificateurs) qui produisent de la chaleur.
- Évitez de placer la lampe dans un endroit exposé directement aux rayons du soleil ou à proximité d'une source de chaleur tel qu'un radiateur. Ne placez pas la lampe au dessus d'un appareil dégageant de la chaleur.
- Protégez le cordon d'alimentation contre les piétinements ou les pincements, en particulier au niveau des prises de courant et la section où le cordon d'alimentation sort de la lampe.
- Débranchez cette lampe pendant les orages ou lorsqu'elle est inutilisée pendant de longues périodes.
- Évitez de placer la lampe dans des endroits poussiéreux, humides/moites, manquants de ventilation ou sujets à une vibration constante.

▲ CAUTION : (suite)

- Cette lampe ne doit pas être utilisée avec des commandes d'intensité d'éclairage, des minuteries, des détecteurs de mouvement, des transformateurs de courant ou des rallonges électriques.
- Ne laissez pas la lampe sans surveillance pendant son utilisation.
- N'utilisez pas d'agent lubrifiant dans l'assemblage de l'ampoule.
- Les ampoules deviennent chaudes rapidement! Ne touchez pas l'ampoule alors que la lampe est allumée.
- Utilisez uniquement le type d'ampoule et la puissance maximale indiqués par Verilux®.
- Ne couvrez jamais la lampe et ne placez rien sur celle-ci lorsqu'elle est allumée.
- Débranchez la lampe de la prise de courant avant de répéter le procédure d'installation de l'ampoule.

CONSERVEZ CES INSTRUCTIONS

Caractéristiques

Votre nouvelle lampe d'énergie HappyLight® de Verilux est un produit avec des fonctionnalités et caractéristiques extraordinaires :

- Diffuse une lumière Natural Spectrum® semblable à la lumière du jour dans votre maison, bureau, chambre ou appartement, sans aucun rayonnement ultraviolet (UV) dangereux.
- Offre jusqu'à 6 000 LUX de lumière vive Natural Spectrum pour remonter le moral, favoriser la concentration et améliorer les niveaux d'énergie.
- Active les stimulants énergétiques de votre organisme afin de vous rendre plus alerte et productif.
- Est de conception compacte et de faible encombrement, ce qui permet de la placer facilement dans l'endroit de votre choix.
- Inclut une ampoule éconergétique de 36 watts à faible dégagement de chaleur de 10 000 heures.
- Équipée d'un interrupteur pratique sur le cordon pour plus de confort.
- Est dotée du meilleur circuit d'alimentation de sa catégorie avec un ballast électronique et la technologie brevetée Flicker Elimination® pour garantir un fonctionnement sans bourdonnement et une illumination instantanée sans clignotement.

Test préalable de l'appareil

Pour permettre de déterminer la sensibilité de l'utilisateur au traitement à la lumière, il est recommandé de procéder, avant toute utilisation, au test préalable suivant :

Étape 1 - Placez la lampe à 50 cm (18 po) environ de votre visage et allumez-la
(ne regardez pas directement la lampe).

Étape 2 - Laissez la lampe allumée pendant 10 minutes environ puis éteignez-la. En cas de gêne, interrompez l'utilisation de la lampe et consultez un médecin. En cas d'absence de gêne, poursuivez l'utilisation en réduisant progressivement la distance du visage et en augmentant la durée d'exposition, pour des résultats plus intenses. L'utilisateur doit déterminer l'apparition de gêne après chaque utilisation, et ne modifier que progressivement la durée et la position à chaque séance.

Choisir un emplacement

- Placez votre lampe d'énergie® HappyLight® de Verilux sur une table ou sur une surface plane.
- Pour de meilleurs résultats, placez la lampe HappyLight à 15-60 cm (6-24 po) de votre visage.

▲ CAUTION : évitez de placer la lampe dans un endroit exposé directement aux rayons du soleil ou à proximité d'une source de chaleur tel qu'un radiateur. Ne placez pas la lampe au dessus d'un appareil dégageant de la chaleur.

▲ AVERTISSEMENT : NE BLOQUEZ PAS LES BOUCHES D'AÉRATION

Les bouches d'aération sont nécessaires au bon fonctionnement du ballast électronique ; si vous les bloquez, le système électronique risque de surchauffer et de provoquer un incendie.

Directives d'utilisation

L'utilisation consiste à s'asseoir à proximité de la lampe d'énergie HappyLight avec les yeux ouverts. Tout en restant tourné vers la lumière, n'hésitez pas à exercer d'autres activités comme la lecture, l'écriture, les loisirs, l'artisanat, la couture, la broderie, le maquillage, la peinture, ou à travailler sur votre ordinateur ou dans votre bureau.

1. Allumez la lampe et attendez quelques minutes pour que l'ampoule atteigne son plein éclat.
2. La lampe d'énergie HappyLight doit être placée à 15-60 cm (6-24 po) de votre visage, et doit être légèrement décalée par rapport au centre (voir illustration). *Note : ne regardez pas directement l'ampoule.*
3. Nous recommandons de mettre l'interrupteur sur le réglage le plus fort le matin, et sur le réglage le plus faible l'après-midi.

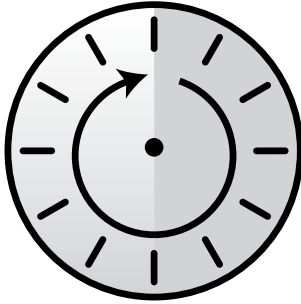
La lumière de la lampe d'énergie HappyLight doit être dirigée vers vos yeux, et ceux-ci doivent être ouverts afin d'en tirer tous les avantages. *Note : Ne regardez pas directement la lampe.*

Lorsque vous vous sentez paresseux et manquez d'énergie, passez plus de temps sous la lampe, rapprochez-vous de la lampe ou ajoutez d'autres appareils d'éclairage pour augmenter l'intensité. Si vous vous sentez nerveux ou si vous êtes excité, éloignez la lampe ou réduisez le temps d'utilisation.



Fonctionnement (suite)

Durée d'utilisation minimum recommandée



de 30 minutes
à
1 heure*

Les chercheurs du National Institute of Health ont démontré que la lumière blanche, dans une gamme comprise entre 2 500 et 10 000 LUX (l'unité de mesure de l'intensité lumineuse), contribue à inverser les symptômes du « blues hivernal ».

Différentes stratégies d'exposition s'appliquent à différentes personnes. Nous avons tous des réactions différentes à notre environnement. Il est important d'établir une distance et un calendrier qui vous conviennent le mieux. Nous vous recommandons d'utiliser la lampe régulièrement et à peu près à la même heure chaque jour. Il n'est pas nécessaire de s'asseoir devant la lampe continuellement. Vous pouvez diviser la durée en plusieurs courtes sessions. Continuez à utiliser la lampe HappyLight® tous les jours pour ressentir une amélioration de votre humeur et de votre niveau d'activité.

Lorsque vous vous sentez paresseux et manquez d'énergie, passez plus de temps sous la lampe, rapprochez-vous de la lampe ou ajoutez d'autres appareils d'éclairage pour augmenter l'intensité. Si vous vous sentez nerveux, comme si vous aviez bu trop de café, alors il peut être temps d'éteindre l'appareil.

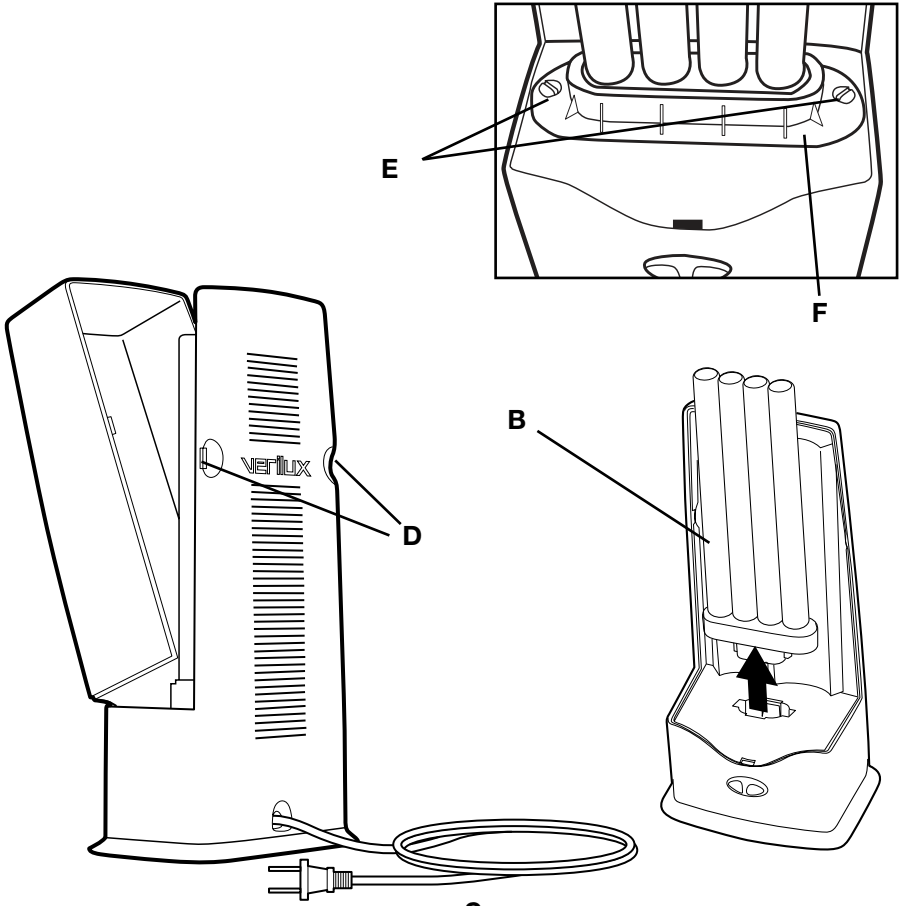
* Le temps d'exposition recommandé dépend de la luminosité et de la distance. Les résultats chez les personnes peuvent varier.

Retrait et remplacement de l'ampoule

Votre lampe HappyLight[®] est pourvue d'une ampoule fabriquée exclusivement par Verilux[®]. Pour commander une ampoule de rechange, veuillez appeler Verilux, sans frais au 1-800-454-4408.

Pour remplacer l'ampoule :

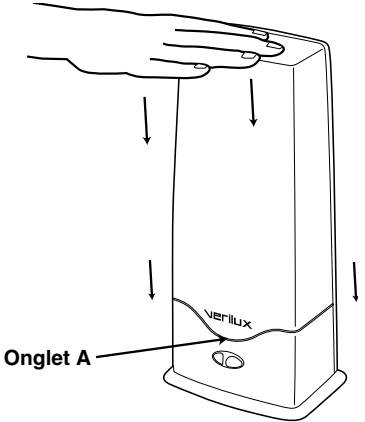
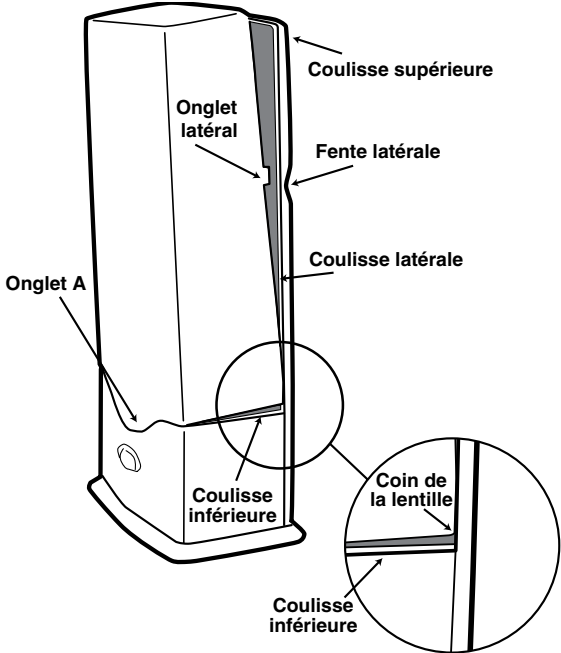
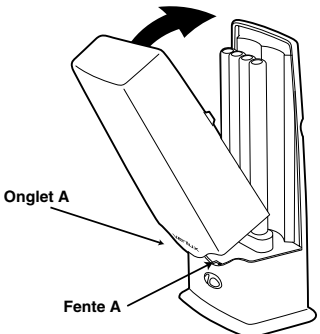
1. Débranchez la lampe de la prise de courant.
2. Pour accéder à l'ampoule, enlevez le diffuseur en plastique en faisant pression sur les onglets (D) et en soulevant le diffuseur.
3. À l'aide d'un tournevis standard, enlevez les deux vis (E) qui fixent le support. Enlevez le support (F).
4. Enlevez l'ampoule (B) en tenant la base et en tirant directement vers le haut.



Retrait et remplacement de l'ampoule (suite)

Réinstallation de l'ampoule et du diffuseur en plastique

1. Insérez l'ampoule dans la lampe en tenant fermement la base de l'ampoule et en poussant vers le bas jusqu'à ce que vous entendiez un déclic pour la fixer correctement.
2. Réinstallez le support à l'aide des vis (E) que vous avez préalablement retirées.
3. Pour fixer le diffuseur en plastique au corps de la lampe, insérez doucement l'**onglet A** dans la **fente A**.
4. Insérez un coin du diffuseur à la fois.
5. Placez un coin du diffuseur dans la coulisse latérale et faites-le glisser doucement vers le bas pour l'insérer dans la coulisse inférieure.
6. Enclenchez l'onglet latéral en position (fente latérale). La totalité latérale de la lentille doit être engagée dans la coulisse.
7. Répétez la même procédure pour l'autre côté du diffuseur. *Notez l'alignement du coin du diffuseur dans la coulisse latérale.*
8. Poussez fermement le diffuseur jusqu'à ce que l'**onglet A** s'enclenche en position. Alignez le haut du diffuseur dans la coulisse supérieure au besoin.



Dépannage

Avant de faire une demande de réparation pour votre lampe Verilux®, veuillez lire ce qui suit :

- Vérifiez que tous les connecteurs, les cordons et les prises d'alimentation sont insérés entièrement et solidement.
- Vérifiez que l'ampoule est solidement insérée dans la douille (reportez-vous aux pages 8 et 9).
- Vérifiez qu'il y a du courant à la prise murale ou essayez une autre prise - une qui n'est pas reliée à un gradateur.

PROBLÈME	VÉRIFICATION	SOLUTION
La lampe ne s'allume pas	La fiche est-elle mal insérée?	Insérez solidement la fiche dans la prise murale.
	L'ampoule est-elle ancienne?	Recherchez toute trace de noircissement/assombrissement au bas de la spirale, là où l'ampoule rejoint la base (indicateur de vie de l'ampoule) et remplacez l'ampoule.
	L'ampoule est-elle insérée correctement dans la douille?	Vérifiez que l'ampoule est solidement insérée dans la douille. Répétez la procédure d'installation de l'ampoule.
Noircissement/assombrissement aux extrémités de l'ampoule	L'ampoule est-elle neuve?	Parfois, quand une ampoule neuve est allumée pour la première fois, le tube s'assombrit, mais cela disparaît au bout de quelques minutes.
	L'ampoule est-elle ancienne?	Dans les anciennes ampoules, l'assombrissement du tube indique la fin de vie de l'ampoule. (Ceci n'affecte pas le fonctionnement, sauf que la quantité de lumière disponible est réduite puisque le phosphore dans cette zone est devenu inactif). Le remplacement de l'ampoule est recommandé.
Clignotement de l'ampoule	La fiche est-elle mal insérée?	Insérez solidement la fiche dans la prise murale.
	L'ampoule est-elle insérée correctement dans la douille?	Vérifiez que l'ampoule est solidement insérée dans la douille. Répétez la procédure d'installation de l'ampoule. ⚠ CAUTION débranchez la lampe de la prise de courant avant de répéter le procédure d'installation de l'ampoule.
	La lampe est-elle reliée à un gradateur?	Branchez la lampe à une prise murale seulement, sans gradateur.

Entretien et nettoyage

Votre lampe Verilux est fabriquée avec des matériaux de haute qualité et durera de nombreuses années avec un minimum de soins.

Nettoyez avec un chiffon doux et sec — NE PAS UTILISER DE SOLVANTS OU DE NETTOYANTS CONTENANT DES ABRASIFS OU DE L'AMMONIAQUE.

⚠ AVERTISSEMENT : afin de prévenir les risques de choc ou de blessures lors du nettoyage de la lampe, assurez-vous d'avoir éteint et débranché la lampe, et laissez suffisamment refroidir l'ampoule.

Données techniques

Lampe d'énergie HappyLight®

Environnement de la lampe

Température d'utilisation : entre 15 °C et 35 °C (entre 56 °F et 95 °F)

Température de stockage : entre 0 °C et 40 °C (entre 32 °F et 104 °F)

Humidité relative : entre 5 % et 95 % sans condensation

Ampoule

Ampoule de rechange : ampoule de 36 watts / 10 000 heures (remplacez l'ampoule uniquement par une ampoule de la marque Verilux, numéro du modèle CFML36VLX)

Alimentation électrique

Puissance d'entrée : 120 V c.a. ~60 Hz

Homologuée UL au Canada et aux États-Unis



ATTENTION! UNE FOIS OUVERT, NE RETOURNEZ PAS CE PRODUIT AU MAGASIN O VOUS L'AVEZ ACHETÉ POUR UNE RÉPARATION OU UN ÉCHANGE.

Vous trouverez de nombreuses réponses à vos questions sur le site www.verilux.com ou contactez notre service clientèle au 1-800-786-6850 aux heures de bureau habituelles.

Cette garantie limitée est fournie par : Verilux, Inc., 340 Mad River Park, Waitsfield, VT 05673

Verilux garantit que ce produit ne comporte aucun défaut matériel ou de fabrication pendant un an à compter de la date d'achat auprès de Verilux ou d'un revendeur Verilux agréé.

Un justificatif d'achat vous sera demandé pour tout recours à la garantie. Au cours de la période de garantie, Verilux Inc., à sa discrétion, réparera ou remplacera les pièces défectueuses de ce produit, sans aucun frais pour le client et sous réserve des conditions suivantes : la garantie ne couvre pas les frais postaux, le transport, la manutention, l'assurance ou les frais de livraison. Cette garantie ne couvre aucun dommage, défectuosité ou défaut causé par ou résultant d'un accident, destruction externe, changement, modification, abus, mauvaise utilisation ou mauvaise application de ce produit.

La garantie ne couvre pas les dommages causés pendant l'expédition ou la manutention du produit. Il est recommandé de souscrire une assurance expédition afin de protéger votre produit.

Une autorisation de renvoi est requise avant tout retour de produit. Afin d'obtenir cette autorisation, prière de contacter le service clientèle Verilux au 1-800-786-6850.

Si, au cours de l'année qui suit votre achat, le produit ne fonctionne pas correctement, celui-ci doit être retourné suivant les instructions du site www.verilux.com/warrantyreplacement ou selon la procédure communiquée par notre service clientèle Verilux au 1-800-786-6850.

***Remarque :** Verilux® recommande d'utiliser un parasurtenseur de qualité sur tous les équipements électroniques. Les variations et les crêtes de voltage peuvent endommager des composants électroniques dans un système. Un parasurtenseur de qualité peut éliminer la grande majorité des défaillances attribuées aux montées subites et peut être acheté dans les magasins d'articles électroniques.*

En raison des constantes améliorations, le produit actuel peut avoir différé quelque peu de celui décrit dans ce manuel.

Veillez visitez notre site Web à : www.verilux.com ou contactez notre service clientèle au

1-800-786-6850

Nos représentants sont disponibles de 9 h 00 à 17 h du lundi au vendredi
heure normale de l'Est

verilux®

340 Mad River Park, Waitsfield, VT 05673