



NOTICE TO USER

This product is intended to act as a means for balance and support. It is not intended to carry the full weight of an individual. READ the warning below before you use this product.

Limited Warranty

Congratulations on your purchase of your Standers brand product. We hope that it will ease your daily living. Please read the following warranty statement for your protection.

Standers, Inc. warrants to the original purchaser that this product will be free from defects in material and/or workmanship for 1 year from the date of purchase. During the warranty period, Standers, Inc. will correct any defects in material or workmanship, at no charge. Shipping cost, however, must be prepaid by the original purchaser. Any replacement parts will be new and are warranted for the remainder of the original warranty or thirty (30) days from the date of shipment, whichever is longer. The original purchaser must notify Standers, Inc. during the warranty period in writing of the defect in workmanship or material. This warranty is not transferable and covers only normal use. **NO SHIPPING CHARGES ARE REFUNDABLE.**

The warranty does NOT cover the following:

- Damage during shipment other than original shipment to retailer.
- Damage caused by unauthorized attachments, alterations, or modifications.
- Damage caused by the use of the product for purposes other than those for which the product was designed or intended.
- Damage caused by any other abuse, misuse, mishandling or misapplication.

Under no circumstances shall Standers, Inc. be liable for any special, incidental, or consequential damages based upon breach of this limited warranty, breach of contract, or strict liability.

THERE ARE NO WARRANTIES WHICH EXTEND BEYOND THE DESCRIPTION ON THE FACE HEREOF. ALL OTHER WARRANTIES, EXPRESS OR IMPLIED (INCLUDING ALL IMPLIED WARRANTIES OF MERCHANTABILITY OR FITNESS FOR A PARTICULAR PURPOSE), ARE HEREBY DISCLAIMED.

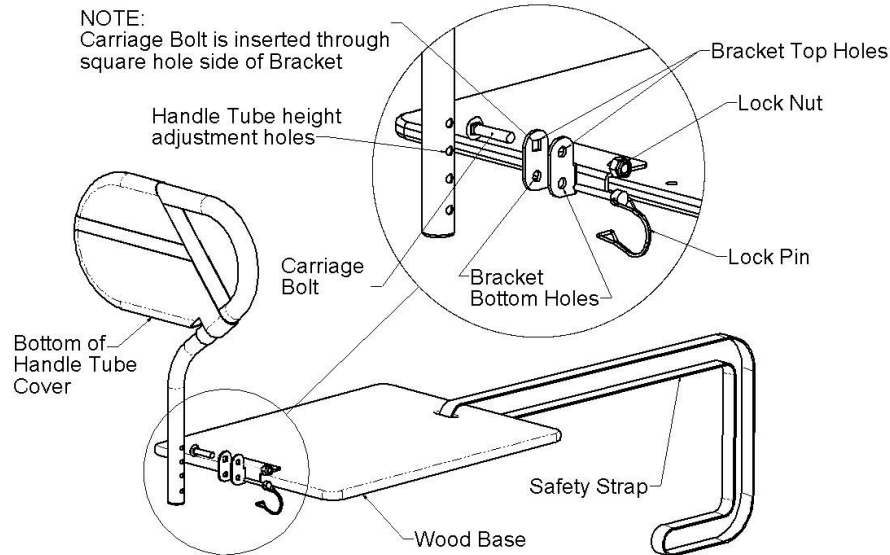
Some states do not allow limitations on how long an implied warranty lasts, so the above limitation may not apply to you. This warranty gives you specific legal right, and you may also have other rights which vary from state to state.

To obtain service under this warranty, you can reach Standers Inc. at 74 Canterbury Circle, Logan, Utah 84321.

WARNING: (Please read before using this product)

1. If you are suffering from an ailment or injury or are taking medications that affect your balance or ability to stand or sit down, you should first consult with a physician before using this product. If the product is not used properly, serious injury or harm could result.
2. The product was not intended to carry the full weight of an individual. This product is only intended to provide balance and support while sitting and standing.
3. The product instructions must be carefully followed to ensure that the product is properly assembled and positioned. Failure to follow the instructions could result in serious injury to the user(s) of the product.
4. Children should not be allowed to hang on or play with the product.
5. For the Bed Cane, it is important that the weight of the mattress is adequate to support the product. The Bed Cane is not well suited for and should not be used with light-weight foam or other light-weight mattresses. **DISCLAIMER:** Neither Standers, Inc. nor the manufacture is liable for any harm or injury that may result or has resulted from the improper use or assembly of the product.

ASSEMBLY INSTRUCTIONS



1. The Bed Cane Handle Tube can be adjusted in height to accommodate different mattress thicknesses. Notice in the picture above how the **Handle Tube has height adjustment holes**.
2. For proper assembly of the Bed Cane, the **Bottom of the Handle Tube Cover** should be positioned below the top of the bed mattress.
3. Place the Handle Tube *between* the extending tabs of the **Bracket** that is attached to the **Wood Base**. Align the appropriate height adjustment holes in the **Handle Tube** with the **Bracket Top and Bottom Holes**.
4. Insert **Carriage Bolt** through square hole side of the **Bracket Top Holes** and aligned **Tube Handle holes**. Using included tools, secure the **Handle Tube** to the **Bracket** with the **Lock Nut**. Make sure to tighten the bolt so the Bed Cane Handle Tube does not wobble.
5. Make sure the **Handle Tube** is perpendicular to the **Wood Base** board and insert the **Lock Pin** through the **Bracket Bottom Holes** and the aligned **Handle Tube Holes**. After the Lock pin is inserted, rotate the wire portion of the Lock Pin to the opposite shaft end of the Lock Pin and place the triangular wire opening around the shaft end of the Lock Pin to prevent the Lock Pin from coming out of the Bracket.
6. **IMPORTANT:** The **Wood Base** **MUST** be placed between the mattress and the box spring of the bed! Mattress should cover the entire surface of the Wood Base.
7. Place the Safety Strap between the mattress and box spring of the bed and around the metal bed frame as shown in the picture below. Adjust the Safety Strap so the Bed Cane is secure to the side of the mattress to prevent movement.

