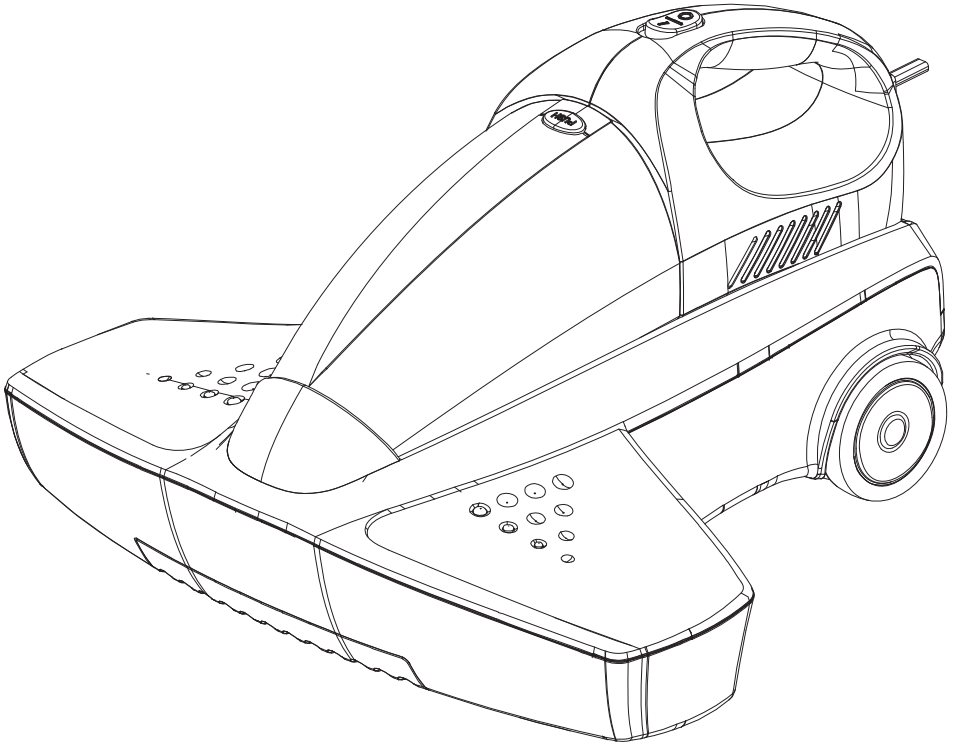


**verilux**<sup>®</sup>  
The Healthy Lighting Company™ Since 1956



# CleanWave <sup>®</sup>

UV-C Sanitizing Furniture & Bed Vac

**VH07**



Dear Customer,

Thank you for purchasing the Verilux CleanWave® UV-C Sanitizing Furniture & Bed Vac. You have received an innovative and quality manufactured product, backed by a one-year limited warranty.

Many other healthy lighting products are available through our catalog and online. Visit us on the web at [www.Verilux.com](http://www.Verilux.com) to request a free catalog and learn more about all our quality Verilux products, or call our toll-free number 1-800-786-6850.

As a Verilux customer, your satisfaction means everything to us. We look forward to serving you now and in the future.

Have a bright day!

A handwritten signature in black ink that reads "Nicholas Harmon". The signature is fluid and cursive.

Nicholas Harmon  
President, Verilux, Inc.

## Table of Contents

Important Safety Instructions . . . . .	4
FCC Compliance . . . . .	5
Introduction . . . . .	6
What's Included . . . . .	6
CleanWave® UV-C Sanitizing Furniture & Bed Vac Features . . . . .	7
Description of Functions . . . . .	7
Initial Set-up. . . . .	8
Vacuuming with UV-C . . . . .	8
Using the Hand Vacuum Only . . . . .	8
Mattress / Bedding Cleaning Guidelines . . . . .	9
Care and Maintenance . . . . .	10
Cleaning the UV-C Bulb . . . . .	11
Replacing the UV-C Bulb. . . . .	12
Troubleshooting . . . . .	13
Safety Switches . . . . .	13
Technical Specifications . . . . .	14
Warranty . . . . .	15

## Important Safety Instructions

### READ ALL INSTRUCTIONS BEFORE USING YOUR CLEANWAVE® UV-C SANITIZING FURNITURE & BED VAC

When using an electrical appliance, the following basic safety precautions should always be observed.

**WARNING:** To reduce the risk of fire, electric shock or injury:

- Do not leave appliance when plugged in. Unplug from outlet when not in use and before servicing.
- Do not use outdoors or on wet surfaces.
- Do not allow to be used as a toy. Close attention is needed when used by or near children.
- Use only as described in this manual. Use only with manufacturer's recommended attachments.
- Do not use with damaged cord or plug. Do not use vacuum if it has been dropped, damaged, left outdoors or dropped in water.
- Do not pull or carry cord, use cord as a handle, close a door on cord or pull cord around sharp edges or corners.
- Do not run vacuum over cord. Keep cord away from heated surfaces.
- Do not unplug by pulling on cord. To unplug, grasp the plug, not the cord.
- Do not handle plug or appliance with wet hands.
- Do not put any object into openings. Do not use with any openings blocked; keep free of dust, lint, hair and anything that may reduce air flow.
- Keep hair, loose clothing, fingers and all body parts away from openings and moving parts.
- Do not vacuum anything that is burning or smoking, such as cigarettes, matches or hot ashes.
- Turn off vacuum before unplugging.
- Use extra care when cleaning on stairs.
- Do not use to vacuum flammable or combustible liquids such as gasoline or use in areas where they may be present.
- Follow all labels and instructions.
- Keep all openings away from your face and body.
- Do not use the vacuum cleaner without dust filter in place.
- Store the vacuum cleaner indoors. Put the vacuum cleaner away after use to prevent tripping accidentally.
- Using improper voltage may result in damage to the motor and possible injury to the user. The correct voltage is listed on the rating-label.
- Use on dry, indoor surfaces.
- Do not use for any purpose other than described in this manual.
- This appliance is provided with double insulation. Use only with identical replacement parts.
- With the exception of the replacement of the UV-C bulb, this appliance contains no user serviceable parts.
- All repairs must be carried out by a qualified service technician.
- There are a number of safety switches on the underside of the unit. These switches prevent

## Important Safety Instructions continued

the UV-C bulb from activating when the product is removed from the cleaning surface. The UV-C bulb will re-activate when placed back on a cleaning surface.

- For your safety, DO NOT attempt to manually over-ride the safety switch.
- DO NOT point the vacuum cleaner directly at your or anyone's face.
- Do not touch the UV-C bulb during or directly after use; it will be hot and may burn.
- UV-C bulbs contain mercury, which is considered a hazardous waste and is subjected to Federal and/or State hazardous waste regulations.
- Do not leave product unattended while on.
- No serviceable parts. Refer all servicing to qualified service personnel. Servicing is required when the apparatus is damaged in any way, such as power-supply cord or plug is damaged, liquid has been spilled or objects have fallen into the apparatus, the apparatus has been exposed to rain or moisture, does not operate normally or has been dropped.
- Never use this device on pets.
- Always direct the UV-C rays AWAY from the eyes and skin.
- Allow bulb to cool before replacing.
- Care should be taken to prevent bulb breakage.
- No one individual should use this product more than one hour per day without ear protection.
- Always turn off this appliance before connecting or disconnecting the base.

**WARNING:** This product contains a chemical known to the state of California to cause birth defects or other reproductive harm.

**CAUTION:** UV-C light may degrade plastic and rubber over time.

**WARNING:** These bulbs can cause serious skin burn and eye inflammation from short wave ultraviolet radiation. Radiation from these bulbs is harmful to the eyes and skin.

**WARNING:** Mercury Hazard. Be careful to not break the bulb during replacement. UV-C bulbs contain a small amount of mercury, which can cause injury if inhaled or ingested.

### **DANGER**

**Ultraviolet (UV-C) Radiation Hazard**

**Over exposure will cause significant eye damage and may cause skin damage.**

**Do not look into UV-C light source.**

### **WARNING** POTENTIAL MOLD SPORE RELEASE

**Application of UV-C light to existing mold growth can cause respiratory irritation and allergic symptoms. Do not use UV-C light where active mold growth exists. Remove active mold growth from surfaces prior to exposure.**

## FCC Compliance

This device complies with Part 18 of the FCC Rules. This product may cause interference to radio communications and should not be installed near maritime safety communications equipment or other critical navigation or communication equipment operating between 0.45-30 MHz.

This device complies with the appliance efficiency regulations laid down by the California Energy Commission.

**SAVE THESE INSTRUCTIONS**

## Introduction

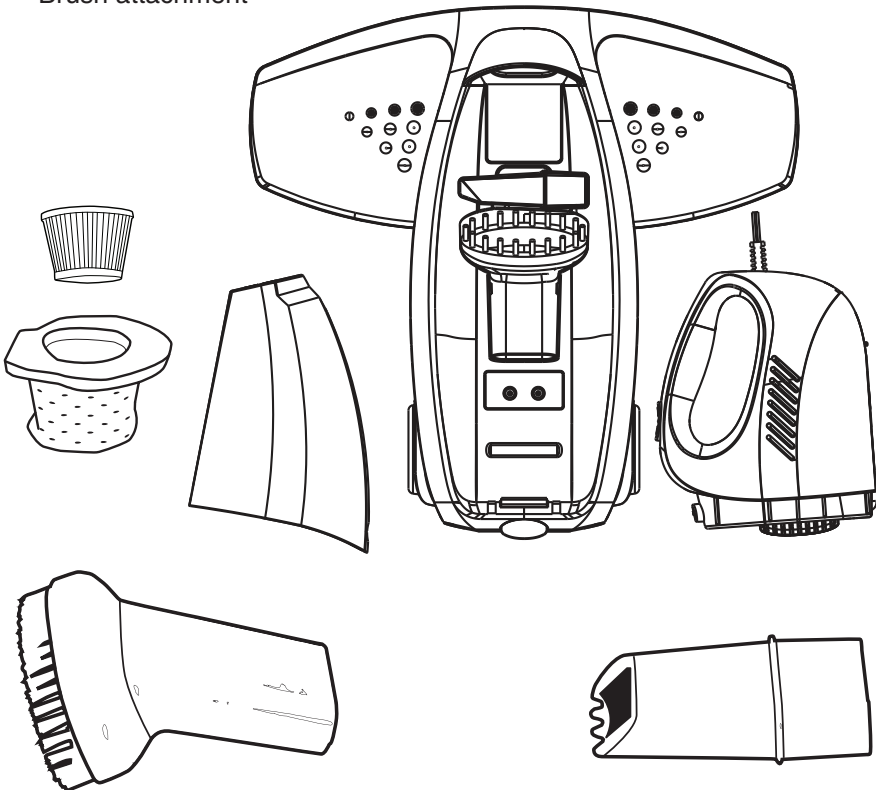
Your new Verilux® CleanWave® UV-C Sanitizing Furniture & Bed Vac is both a convenient and powerful hand-held vacuum cleaner with dirt container and dual filters. The hand-held design makes it a fast and effective anytime, anywhere vacuum.

As a bed vacuum, the combination of powerful suction and UV-C light quickly removes dust and dirt while eliminating up to 99.9% of viruses, bacteria, dust mite eggs and dust mite waste – a common cause of colds, allergic\* reactions and asthma.

*\*Allergens due to mold and dust mites*

## What's Included

- Instruction manual
- Handheld vacuum cleaner with dirt container and dual filters
- Base unit with UV-C bulb
- Nozzle attachment
- Brush attachment



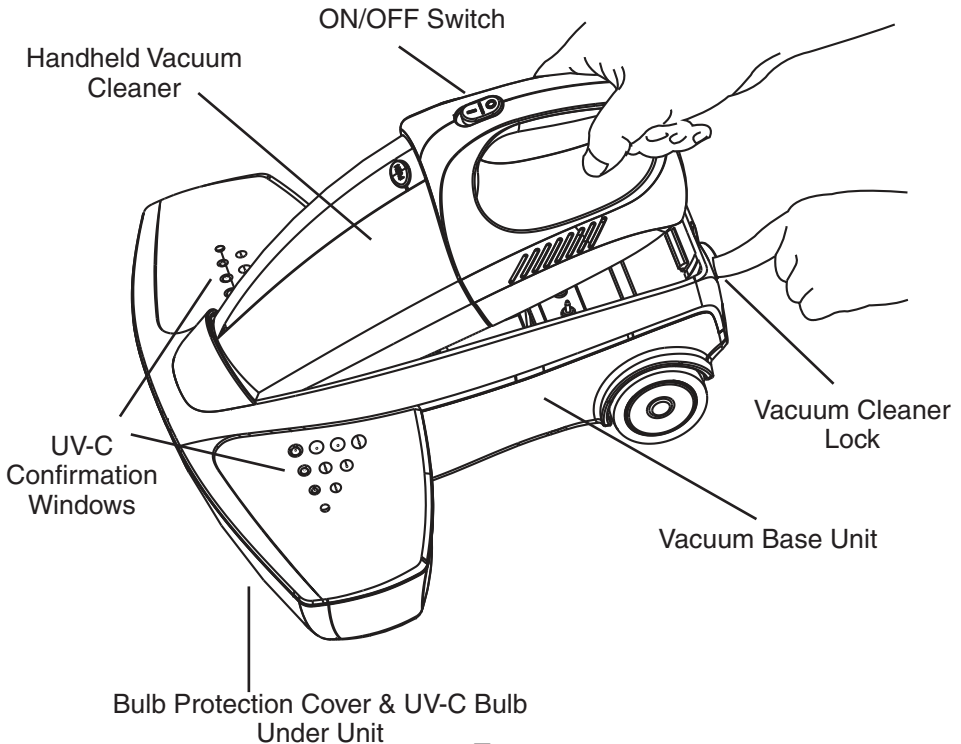
## CleanWave® UV-C Sanitizing Furniture & Bed Vac Features

Your new Verilux® CleanWave UV-C Sanitizing Furniture & Bed Vac features:

- A powerful ultraviolet (UV-C) illumination system that eliminates up to 99.9% of viruses (including the H1N1 “swine flu” virus), bacteria, fungus and mold spores.
- Vacuum cleaner removes dead skin cells, fleas and flea eggs, dust mites, dust mite feces and other allergens\*.
- Handheld convenience – use as a UV-C vacuum/sanitizing unit or as a handheld vacuum cleaner.
- Easy to empty dirt container. No messy bags.
- Dual filters: Micro-fiber filter captures large particles; HEPA filter traps pollen and microscopic allergens\* as small as 0.3 microns with 99.97% efficiency. Only clean air is expelled back into the room.
- Removes odors and dangerous allergens\* including those that can cause pneumonia, asthma and other conditions.

*\*Allergens due to mold and dust mites*

## Description of Functions



## Initial Set-up

### Vacuuming with UV-C

1. Attach the vacuum cleaner to the base unit. Insert it into the base unit and then press the rear down firmly. Press lever down when docking vacuum. Then pull up until lever clicks to lock. (See Figure 1)
2. Turn on the cleaner using the on/off switch.

The UV-C bulb will turn on when the UV-C safety switch is in contact with the surface to be cleaned. You can confirm that the UV-C light is on by checking the confirmation windows on the top of the unit.

Avoid vacuuming fine dust, such as cement and plaster, as this will block the filters. If fine dust is picked up, the filters, dust container and tools must be thoroughly cleaned immediately after use.

**CAUTION:** Direct exposure to UV-C light can cause serious skin burn and eye inflammation from short wave ultraviolet radiation. Radiation from this bulb is harmful to the eyes and skin.

**CAUTION:** Do not override the safety switches manually.

**CAUTION:** Do not attempt to pick up large or sharp objects as these may cause damage to the vacuum cleaner.

### Using the Hand Vacuum Only

1. Turn the cleaner off using the on/off switch.
2. To remove the cleaner from the base, press the lever at the rear of the vacuum base. (See Figure 1)
3. Lift the hand vacuum from the base.

Certain tasks may require the use of the nozzle or brush attachments. These tools are stored in the base unit. (See Figure 2)

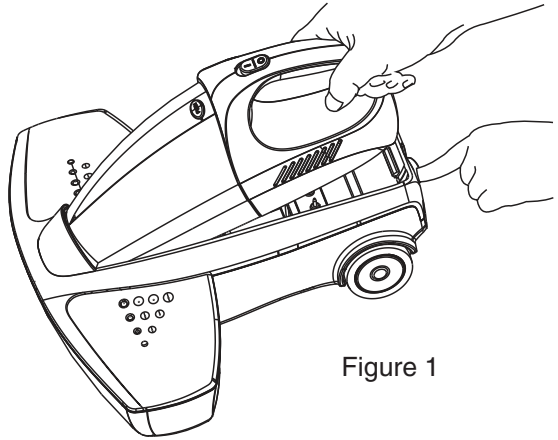


Figure 1

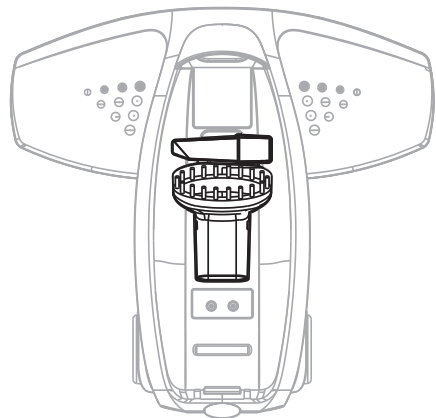


Figure 2

## **Mattress / Bedding Cleaning Guidelines**

In order for the UV-C light to be fully effective against bacteria and other pathogens, the area to be cleaned must be exposed for a sufficient time.

We suggest the following guidelines:

- Start in one corner of the bed.
- Keep the vacuum flat against the mattress.
- Move the vacuum in a smooth and steady motion.
- To make sure that every part of the mattress is exposed, follow a predetermined pattern.
- With double (or larger) beds, clean one side of the bed at a time.
- If possible, clean both sides of the mattress.
- With a used mattress, clean on a daily basis for seven days, then as much as once a week, at the least once a month. With a new mattress, once a month cleaning is usually sufficient.
- If cleaning carpets using the UV-C head, follow a similar method.

## Care and Maintenance

### Cleaning the Inlet

If the inlet is blocked by dust, completely remove the foreign materials – after first turning the vacuum OFF.

A blocked inlet may result in weakened suction and noise. If the inlet is blocked, there is also a risk of damage or malfunction caused by overheating.

### Emptying Dust Container and Cleaning Filters

1. Disconnect the cleaner from the base section by pressing the release lever at the rear of the cleaner and lifting up.
2. Press the dust container lock button to release the dust container from the vacuum. (See Figure 3)
3. Carefully pull the filter assembly outward and remove.
4. Empty the container. (See Figure 4)
5. Unlock the outer filter by twisting it slightly to the right (clockwise).
6. Remove the outer filter by pulling it away from the main casing.
7. Pull the inner filter out to remove.
8. The filters should be cleaned every time the dust container is emptied by tapping them on the side of the bin to release trapped dust.
9. Wash both filters in lukewarm water on a regular basis.
10. Make sure the filters are completely dry before reassembly.
11. Reassemble in the reverse order.

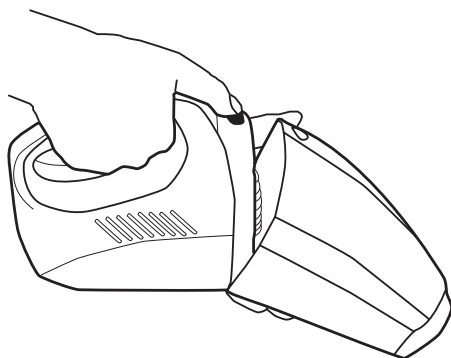


Figure 3

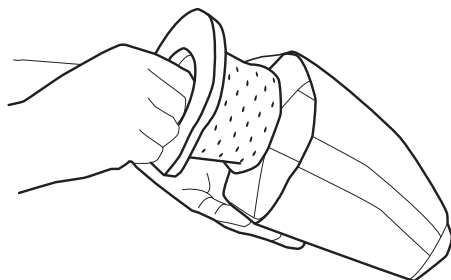


Figure 4

## Care and Maintenance continued

### Avoiding Exposure to Dust

When emptying any vacuum cleaner, it is difficult to avoid exposure to dust. If you are an allergy sufferer or sensitive to dust, you can minimize this risk.

1. Place the dust container in a large bag, and close the bag as tightly as possible around the container before emptying it.
2. Remove the container, close the bag tightly and dispose of immediately.

You might also consider wearing disposable gloves and a facemask while emptying the dust container. Or ask a non-allergy sufferer to empty the container, when required.

It is important to empty the dust container and clean the filters regularly. If this is not done, the cleaner will lose its effectiveness.

We recommend that you empty and clean the vacuum after each use.

### Cleaning the UV-C Bulb

During use, dust may collect on the protective cover and the UV-C bulb, which will reduce the effectiveness of the UV-C light. For maximum UV-C exposure, clean the bulb periodically.

1. Detach the protective grill on the bottom of the base unit by gently pulling up on the two tabs at the back of the covering. Set the cover aside. (See figure 5)
2. Using a soft lint-free cloth, carefully remove any dust from the protective cover and the UV-C bulb.
3. Replace the protective cover by aligning it, pressing on the rear tabs to snap them into position and finally pressing down the front of the cover, which will click into place.

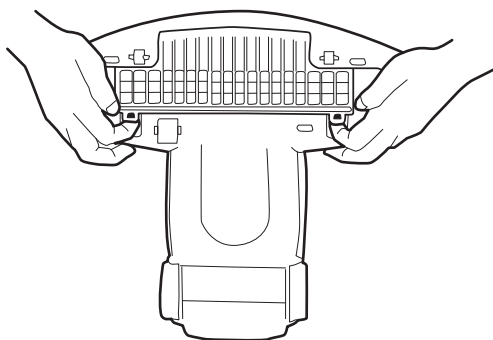


Figure 5

## Replacing the UV-C Bulb

Before replacing the bulb, make sure the vacuum cleaner is switched off and unplugged from the power outlet.

The life span of the UV-C bulb, under normal use, is 2 to 3 years.

**Caution:** Use only Verilux® bulbs. Use of an incorrect bulb can result in damage. To order a replacement bulb, use the Component Re-order form included with this product, or call Verilux Customer Service at 1-800-786-6850 or visit [www.Verilux.com](http://www.Verilux.com).

1. Detach the protective grill on the bottom of the base unit by pulling up the two tabs at the back of the covering. Set the cover aside. (See Figure 5)
2. Remove the two plastic pieces that cover the ends of the UV-C bulb.
3. Unscrew the screws surrounding the protective housing.
4. Using a small pair of pliers at one end of the bulb, rotate the bulb 90 degrees and remove. (See Figure 6)

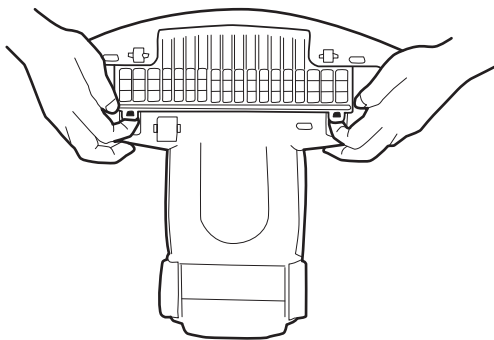


Figure 5

**Note:** UV-C bulb is housed in a glass sleeve to protect it from accidental damage. Remove old bulb from this sleeve before disposal.

5. Insert the new bulb into protective sleeve and place back into unit. Rotate bulb by 90 degrees to secure.
6. Relocate the protective housing and tighten all screws.
7. Relocate the protective grill and snap back into place.

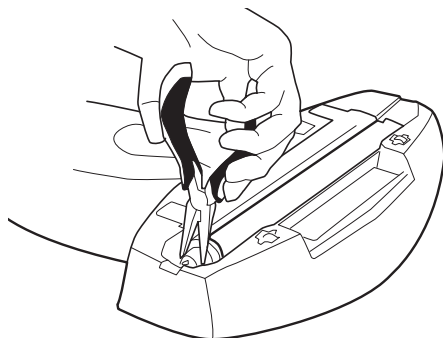


Figure 6

## Troubleshooting

### Poor Suction

The filter may be blocked.

- Remove and clean the filter.

The dust container may be full.

- Empty dust container.

### UV-C Light is not Illuminated

Vacuum cleaner may not be fitted to base unit correctly.

- Ensure the cleaner is securely locked into position.

Safety switch may not be depressed or sensors not covered.

- Sensor switches only operate when the base is level and in contact with the surface being cleaned.

### Safety Switches

The UV-C light will only turn on when the vacuum cleaner is facing downward and in contact with the surface being cleaned.

On the bottom of the base unit, there is pressure sensitive wheel. The wheel is activated when it contacts a cleaning surface.

Three additional sensors must also be covered for the UV-C bulb to work.

Do not manually override the pressure sensitive wheel or cover the sensors.

## Technical Specifications

### Environment

Operating Temperature: 10°C (50°F) to 40°C (104°F)

Storage Temperature: 0°C (32°F) to 60°C (140°F)

Relative Humidity: 10% to 90% non-condensing

### UV-C Bulb

8 Watt UV-C bulb (replace with Verilux Model Number VH07RB1 only)

### UV-C Peak Wavelength

254 nanometers

### Power

Input Power: AC 120V, 60Hz 400 Watts

### Weight

4.98 pounds

**Warning:** This product contains a chemical known to the state of California to cause birth defects or other reproductive harm.

This device complies with the appliance efficiency regulations laid down by the California Energy Commission.

**Please visit our web site at: [www.Verilux.com](http://www.Verilux.com)**



**340 Mad River Park, Waitsfield, VT 05673**