

Book & Travel Light

Natural Spectrum® Computer and Reading Light

VB01

Dear Customer,

Thank you for purchasing the Verilux Book & Travel Natural Spectrum[®] Computer and Reading Light. You have received an innovative and quality manufactured product, backed by a one-year limited warranty.

Many other healthy lighting products are available through our catalog and online. Visit us on the web at www.verilux.com to request a free catalog and learn more about all our quality Verilux products, or call our toll-free number 1-800-454-4408.

As a Verilux customer, your satisfaction means everything to us. We look forward to serving you now and in the future.

Have a bright day!

Nicholas Harmon

Nicholas Harmon
President, Verilux, Inc.



Important Safety Instructions

SAVE THESE INSTRUCTIONS

PLEASE READ THE FOLLOWING SAFETY INFORMATION BEFORE USING

WARNING: CHOKING HAZARD — Small parts. This product is NOT a toy and is not intended for children 3 years and under. Adult supervision is required to prevent a choking hazard from small parts or batteries.

BATTERY SAFETY CAUTIONS: Improper use of this or any battery operated product may cause batteries to leak or explode, which may cause personal injury or damage to electronic equipment.

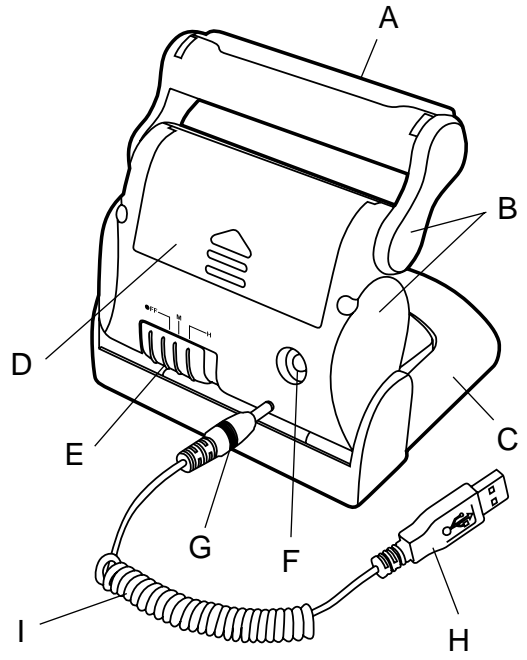
- Do not mix BATTERY TYPES: Batteries are commonly available in alkaline, standard (carbon-zinc) and rechargeable (nickel-cadmium). DO NOT MIX. Use only (2) alkaline, (2) standard or (2) rechargeable type batteries.
- Do not mix OLD and NEW batteries.
- Remove batteries when the product is not in use for extended periods of time.
- Do not dispose of batteries in fire — Please recycle used batteries.

The bulb of the Verilux® Book and Travel Light is rated for 10,000 hours of use, when used in accordance with these instructions, and should never need replacement. DO NOT attempt to remove or replace the bulb. In the unlikely event your bulb fails within the first year of operation, contact our Customer Service Department (1-800-786-6850).

Features and Operation

Main Parts & Controls

- A. Bulb
- B. Hinge System
- C. Book/Computer Clip
- D. Battery Compartment
- E. Power Switch
Off/Low/High
- F. DC Socket
- G. DC Jack
- H. USB Plug
- I. USB Cable





Battery Installation/Replacement

1. Slide the battery compartment door open in the direction indicated by the arrow.
2. Insert two (2) AA batteries (not included) so the poles (+) and (-) exactly match the diagram located in the battery compartment.
3. Slide battery door back on until fully closed.
4. Locate power switch on the back of the unit and choose between two brightness levels, (M) for lower light level and (H) for brighter light. Allow 1-2 minutes for bulb to achieve full brightness and enjoy your Verilux® Natural Spectrum® Book and Travel Light.



USB Powered Operation

1. If you are using non-rechargeable batteries, remove them BEFORE inserting USB plug adapter.
2. Plug DC jack end of USB cable in DC socket of the book light.
3. Connect the USB plug end of the cable to the computer USB port (USB 1.0 & 2.0 compatible).
4. Turn on the book light by choosing brightness level and enjoy your USB powered Book and Travel Light.

NOTE: Due to current restrictions of USB (500mA), USB-powered light may not seem as bright as battery powered light.

USB Battery Recharge Function

IMPORTANT: Use NiMH or NiCD rechargeable AA batteries only! DO NOT attempt to charge non-rechargeable batteries.

1. Switch book light to OFF position (must remain in OFF position for recharge function).
2. Connect USB cable from the book light to the computer USB port (as described above). Battery charging times are approximately 10-14 hours.



One Year Limited Warranty

ATTENTION! ONCE OPENED, PLEASE **DO NOT** RETURN THIS PRODUCT TO THE STORE WHERE IT WAS PURCHASED FOR REPAIR OR REPLACEMENT!

Many questions may be answered by visiting www.verilux.com, or you may call our Customer Service Department at 800-786-6850 during normal business hours.

This limited warranty is provided by: Verilux, Inc., 340 Mad River Park, Waitsfield, VT 05673

Verilux warrants this product to be free from defects in material and workmanship for a period of one year from the date of the original retail purchase from Verilux or an authorized Verilux distributor. **Proof of purchase is required for all warranty claims.** During the limited warranty period, Verilux, Inc. will, at its option, repair or replace defective parts of this product, at no charge to the customer, subject to the following limitations: This limited warranty does not include any postage, freight, handling, insurance or delivery fees. This warranty does not cover damage, defect or failure caused by or resulting from accident, external destruction, alteration, modification, abuse, misuse or misapplication of this product.

This warranty does not cover damage to the product resulting from return shipping or handling. The use of shipping insurance is recommended to help protect your product.

Return Authorization is required for all returns. To obtain a Return Authorization, please contact the Verilux Customer Service Department at 800-786-6850.

If, during the first year of ownership, this product fails to operate properly, it should be returned as specified at www.verilux.com/warrantyreplacement or as instructed by a Verilux customer service representative at 800-786-6850.

Note: *Verilux recommends using a quality surge suppressor on all electronics equipment. Voltage variations and spikes can damage electronic components in any system. A quality suppressor can eliminate the vast majority of failures attributed to surges and may be purchased at electronics stores.*

Due to ongoing improvements, actual product may have slight variations from the product described in this manual.

Please visit our web site at: www.verilux.com or call

1-800-786-6850

Representatives are available Monday — Friday, 9am — 5pm EST

verilux®

340 Mad River Park, Waitsfield, VT 05673